

PLEASE CHECK WWW.MOLEX.COM FOR LATEST PART INFORMATION

Part Number: [0510040400](#)
Status: **Active**
Overview: [microblade](#)
Description: 2.00mm (.079") Pitch MicroBlade™ Wire-to-Board Housing, Friction Lock, 5.80mm (.228") Height, 4 Circuits

Documents:

[3D Model](#) [Product Specification PS-51004-002 \(PDF\)](#)
[Drawing \(PDF\)](#) [RoHS Certificate of Compliance \(PDF\)](#)

Agency Certification

CSA LR19980
 UL E29179

General

Product Family Crimp Housings
 Series [51004](#)
 Overview [microblade](#)
 Product Name MicroBlade™

Physical

Circuits (maximum) 4
 Flammability 94V-0
 Gender Receptacle
 Glow-Wire Compliant No
 Lock to Mating Part Yes
 Material - Resin Polyester
 Number of Rows 1
 Packaging Type Bag
 Panel Mount No
 Pitch - Mating Interface (in) 0.079 In
 Pitch - Mating Interface (mm) 2.00 mm
 Stackable No
 Temperature Range - Operating -20°C to +85°C

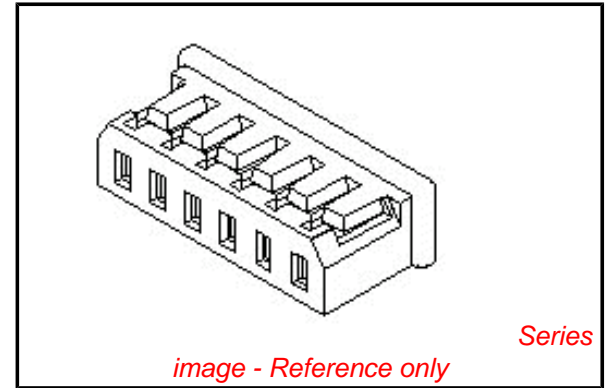
Electrical

Current - Maximum per Contact 2A

Material Info

Reference - Drawing Numbers

Packaging Specification SPK-51004-001
 Product Specification PS-51004-002, RPS-51004-001, RPS-51004-002, RPS-51004-003, RPS-51004-004, RPS-51004-006, RPS-51004-008, RPS-51004-010, RPS-51004-011, RPS-51004-012, RPS-51004-013, RPS-51004-014, RPS-51004-015, RPS-51004-016, RPS-51004-017, RPS-51004-018, RPS-51004-019, RPS-51004-020, RPS-51004-021, RPS-51004-022, RPS-51004-023, RPS-51004-024, RPS-51004-025
 Sales Drawing SD-51004-**00



EU RoHS

ELV and RoHS Compliant
REACH SVHC Contains SVHC: No
Halogen-Free Status

China RoHS



Not Halogen-Free

Need more information on product environmental compliance?

Email productcompliance@molex.com
 For a multiple part number RoHS Certificate of Compliance, [click here](#)

Please visit the [Contact Us](#) section for any non-product compliance questions.

Search Parts in this Series

[51004Series](#)

Mates With

[53014](#) , [53015](#) , [53025](#) MicroBlade™ Headers

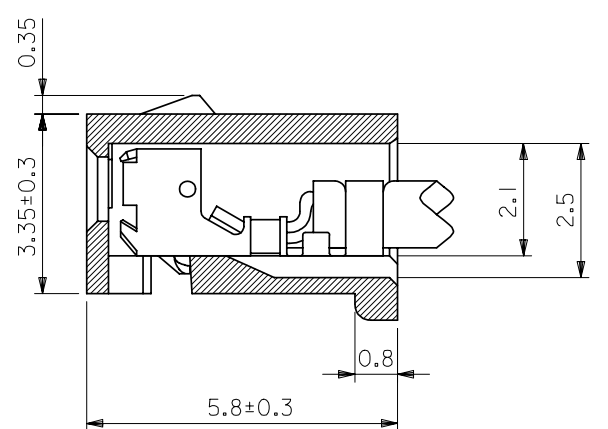
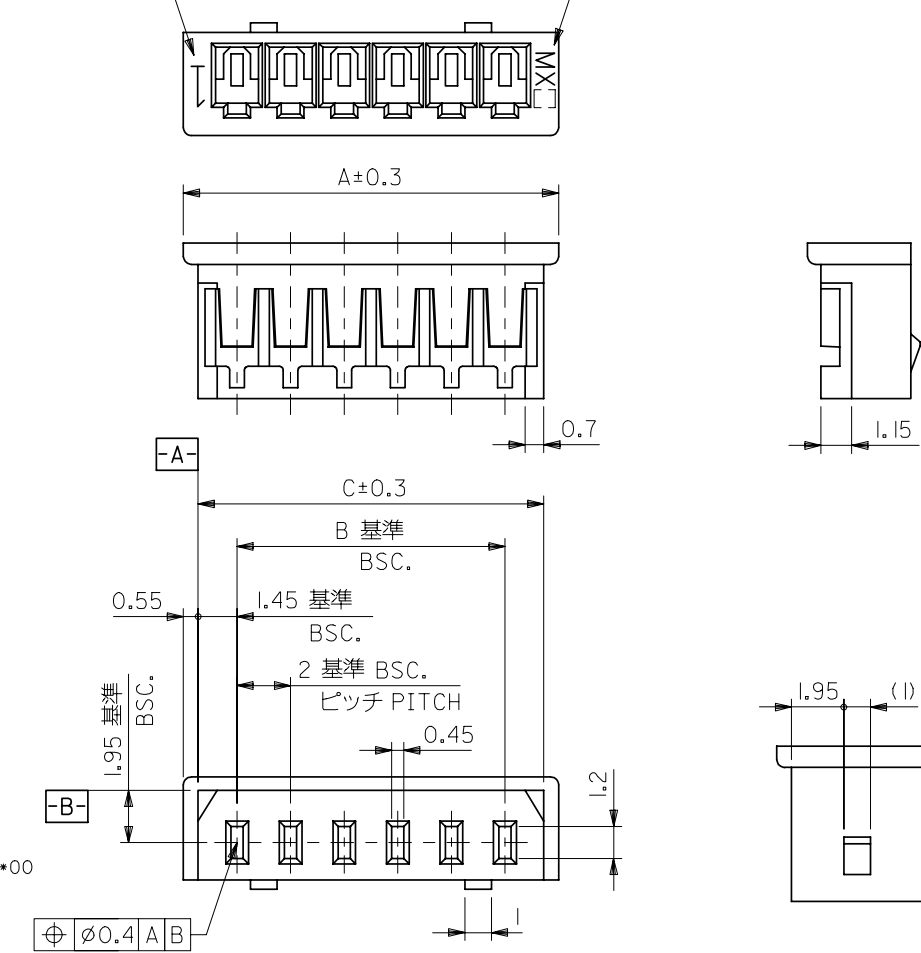
Use With

[50011](#) Crimp Terminal

DWG. NO.
SD-51004-**00

回路番号
CIRCUIT NO.

トレードマーク
TRADE MARK



ターミナル装着状態
TERMINAL ASSEMBLY DRAWING
(10:1)

- 注
NOTE.
- 適合ターミナル: 50011-8*00
ACCEPTS TERMINAL
 - 嵌合相手: 53014-**10
MATES WITH 53015-**10
53025-**10

⊕ ⌀0.4 A B

2極の場合
IN CASE OF 2 CIRCUIT HSG.

32	30.9	28	51004-1500	15
30	28.9	26	-1400	14
28	26.9	24	-1300	13
26	24.9	22	-1200	12
24	22.9	20	-1100	11
22	20.9	18	-1000	10
20	18.9	16	-0900	9
18	16.9	14	-0800	8
16	14.9	12	-0700	7
14	12.9	10	-0600	6
12	10.9	8	-0500	5
10	8.9	6	-0400	4
8	6.9	4	-0300	3
6	4.9	2	51004-0200	2
A	C	B	ENG. NO.	極数 CIRCUIT

DO NOT SCALE DRAWING

EC NO. DRWN: CH'K: APPR:	EC NO. DRWN: CH'K: APPR:	EC NO. DRWN: CH'K: APPR:	EC NO. DRWN: CH'K: APPR:	EC NO. DRWN: CH'K: APPR:	REDRAWN EC NO. JC2000-0629 DRWN: K.KOHAMA '00/ 3/28 CH'K: T.YAMAGUCHI '00/ 3/30 APPR: M.FUKUSHIMA '00/ 3/30	MATERIAL 材料 PBT. UL94V-0 POLYESTER UL94V-0	GENERAL TOLERANCES: (UNLESS SPECIFIED) 一般公差	SCALE 5:1	DESIGN UNITS <input checked="" type="checkbox"/> mm <input type="checkbox"/> INCH	THIRD ANGLE PROJECTION	DIMENSIONS: <input type="checkbox"/> mm <input type="checkbox"/> INCH <input checked="" type="checkbox"/> mm ONLY	SHT REV
						FINISH 仕上げ	10 UNDER 未滿	±0.2	DRAWN BY & DATE K.KOHAMA '00/ 3/28	TITLE: 2.0 LOW-PRO REC. HSG.		
						WIRE RANGE 適用電線範囲	10 OVER 30 UNDER 以上 未滿	±0.25	CHECKED BY & DATE T.YAMAGUCHI '00/ 3/30			
						INS. RANGE 被覆外径	30 OVER 以上	±0.3	APPROVED BY & DATE M.FUKUSHIMA '00/ 3/30	MOLEX INCORPORATED		
							ANGLE 角度	±3°	CAD FILENAME S51004.S01	MATERIAL NO. 51004-**00	DRAWING NO. SD-51004-**00	SHEET NO. 1
THIS DRAWING CONTAINS INFORMATION THAT IS PROPRIETARY TO MOLEX INCORPORATED AND SHOULD NOT BE USED WITHOUT WRITTEN PERMISSION.											SIZE B	